



Tractors Built for the Best™

FRICUBE
Tractors for Specialists



Welcome Agricube!

Featuring an elegant design and a renewed style, the new Carraro Agricube Series range is presented to the specialised tractor market to meet the many demands of this sector. The new Agricube Series with FPT engines has been designed to blend the Performance, Quality, Trust features with the Versatility of its wide range of applications, from the Vigneto to the open field. Its compact design and high choice of configurations coupled with the comfort offered by the modern ergonomic solutions, make Agricube the perfect tractor for all the various activities typical of specialistic sectors.





Agricube Vigneto



The range

- › New design and new contents: the Agricube Frutteto (F) series is available with FPT F5C engines in powers of 75 and 88 hp and with FPT NEF100 hp
- › The three different axle widths, the availability of versions with cabin or platform, with tiltable front frame, the wide range of transmissions and the options mix, all make this new series of tractors extremely versatile and well-suited to any needs.
- › The availability of the option with built-in front power take-off and front lifter, Cat. II with lifting capacity of 1,300 kg, further enhances this range's great versatility.
- › The entire range has a mechanical rear lift (basic version) and electronic rear lift with external lift control (optional extra). Both versions guarantee a lifting capacity of 26kN.

Compact

- › Agricube completes the range of specialized tractors with the Vigneto version.
- › Available with cabin or platform with tiltable front roll bar, its compact dimensions and ergonomic design allow Agricube Vigneto (V) to meet all the demands of those forced to work in narrow spaces, without renouncing the comfort.
- › The overall minimum width guarantees maximum manoeuvrability even in the most spatially demanding workplaces
- › Agricube Vigneto (V) is available in the 80 V model, produced with high performance FPT F5C, 4 cylinder engines, with 75 hp turbo.

Agricube Features

Vigneto



Motor

- › The elegant monobloc hood is easy to open and close and makes access for maintenance simple, blending style and practicality.



Rear tow attachment and lifter

- › 30kN option is available, thanks to the use of an additional jack.
- › The three-point hitch is available in the following configurations: with fixed, cat. 2 ball type lower links and category 2/1/N with adjustable quick couplers cat. 2/1/1N.



Remote control electronic lift

- › The electronic lift's remote control, positioned on both rear fenders, facilitates handling of the rear lift.
- › The practical mechanical command remote control is available for the mechanical lift.



Hydraulic system

- › The hydraulic circuit capacity (86 l/min with two pumps in the basic configuration and 101 l/min with the three pump option), guarantees the capacity necessary to meet the highest technical working demands.
- › Use of the lateral SCVs is comfortable and practical thanks to the easy access, with their position guaranteeing excellent visibility from the driving seat.



Cabin

- › Available ventilated/heated (base) or heated/air-conditioned (option)
- › Soundproofed platform suspended on 4 silent blocks
- › The new cabin for special tractors has been designed to provide all the necessary comforts. It is the perfect answer for those who rightly demand to work in a comfortable, yet practical, environment
- › Cabin width 1,200 mm.



Hydraulic system

- › Wide choice of distributor options for the specials range:
 - 2 DE distributors with 4 rear outputs push-pull, flow control on base plate for simultaneous action of distributor and lift
 - 3 DE distributors with 6 rear outputs push-pull, distributor flow control with 2 or 3 pumps
 - 3 DE distributors with 6 rear outputs and 4 side outputs, push-pull, distributor flow control with 2 or 3 pumps.



Driving seat

- › Comfortable, ergonomic and practical, operations are made even easier by the intuitive controls
- › Every single Agricube detail has been designed to simplify use and make driving a more pleasurable experience.



Details

- › Even the smallest detail has been developed to guarantee a compact, clear-cut, dynamic design: fundamental requirements for those working with specialised crops.

Agricube Technical Data

Vigneto

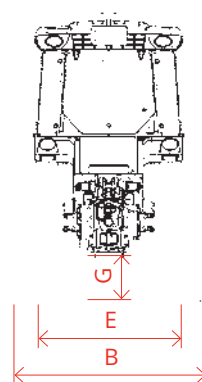
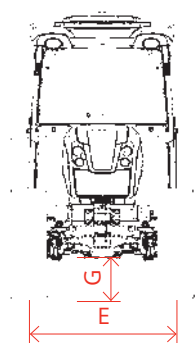
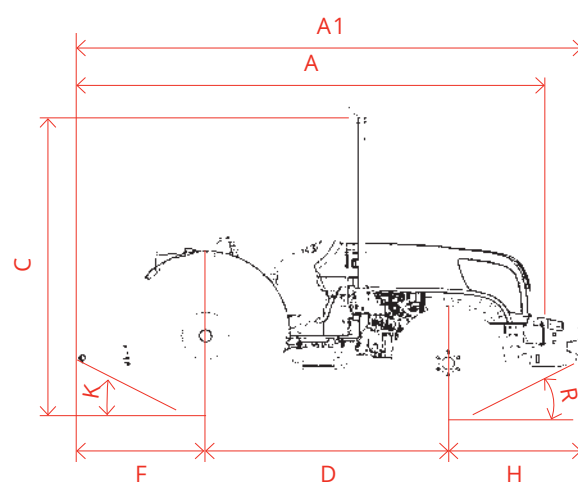
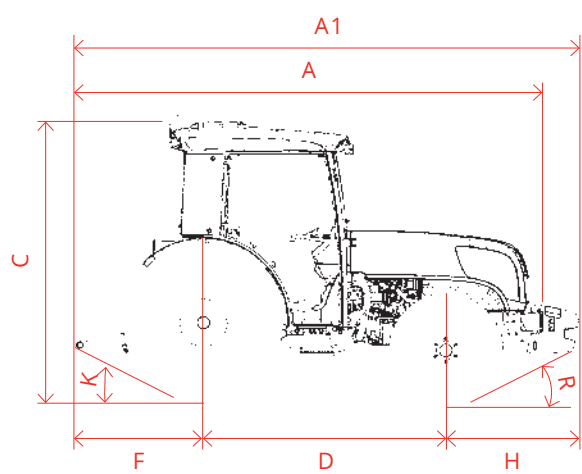
80 V	
ENGINE	
Engine manufacture	FPT
Engine name	F5C (EURO III A)
Displacement	3,200 c ³
Number of cylinders/Configuration	4 turbo
Cooling system	Liquid cooled
Maximum power ISO kW/hp	55/74.8
PTO power ISO kW/hp	46/ 62
Rated engine speed	2,300
Maximum torque speed	1,250
Maximum torque	310 Nm@1,250 rpm
Torque rise	37%
Fuel tank capacity	71 l
Fuel tank capacity with Front PTO	50 l
Auxiliary tank capacity (option, mandatory with Front PTO)	19 l
Exhaust	Horizontal
ELECTRIC SYSTEM	
Battery	100 Ah
Alternator	80 A
Enginestart	4.2 kW
TRANSMISSION	
12+12 12 front 12 rear	Gear Levers: lateral · Gear Box: 4 gear synchro Range: 3 gear range L / M / Hi collar shift · Reverser: mechanical Minimum tractor speed: 1.4 km/h with rear tyre 13.6R28 Maximum tractor speed: 30 km/h with rear tyre 13.6R28
24+24 24 front 24 rear	Gear Levers: lateral · Gear Box: 4 gear synchro Range: 3 gear range L / M / Hi collar shift · HI-LO: mechanical Reverser: mechanical · Minimum tractor speed: 0.5 km/h with rear tyre 13.6R28 Maximum tractor speed: 40 km/h with rear tyre 13.6R28
24+24 24 front 24 rear	Gear Levers: lateral · Gear Box: 4 gear synchro Range: 3 gear range L / M / Hi collar shift · HI-LO: electrohydraulic Reverser: mechanical · Minimum tractor speed: 0.5 km/h with rear tyre 13.6R28 Maximum tractor speed: 40 km/h with rear tyre 13.6R28
24+12 24 front 12 rear	Gear Levers: lateral · Gear Box: 4 gear synchro Range: 3 gear range L / M / Hi collar shift · HI-LO: electrohydraulic Reverser: electrohydraulic · Minimum tractor speed: 0.5 km/h with rear tyre 13.6R28 Maximum tractor speed: 40 km/h with rear tyre 13.6R28
MECHANICAL POWER TAKE OFF	
Speed option (dry disc clutch)	540 – 540/ 540 E – 540/ 1,000
Ground drive PTO	Option
Speed indicator on dashboard	Base
ELECTRO HYDRAULIC POWER TAKE OFF	
Speed option (Wet disc clutch)	540/ 540 E – 540/ 1,000
Ground drive PTO	Base
Speed indicator on dashboard	Base

CLUTCH	
Dry independent	11"
BRAKES	
Brake actuation	Mechanical & Hydraulic integrated
Brake configuration	Oil wet disk
REAR DIFFERENTIAL LOCK	
Type	Mechanical
Actuation	Electrohydraulic
FRONT AXLE	
Maximum steering angle	55°
Tilt angle	8°
Flange distance	925 mm
4WD actuation	Electrohydraulic
Differential lock	Self-locking
REAR AXLE	
Type	Epiciclic
Ratio	6:1
Flange distance	892 mm
HYDRAULIC SYSTEM	
Pumps capacity (lt/min) with 2 pumps (base)	61.2+24.8
Pumps capacity (lt/min) with 3 pumps (option)	11.5+35+24.8
Distributors	1 SE + 1 DE 3 Pos / 1 SE + 1 DE 4 Pos with neutral simple return (4 rear exits), flow control for action
THREE POINT HITCH AND LIFT CAPACITY	
Maximum lift capacity	2,600 kg
Lift	Mechanical with position, draft, mix control (base) – Electronic (option)
Three point hitch category	1/1N Cat.
Lower links	Fixed, ball-type, Cat. 1 Adjustable, ball-type, Cat. 1/1N Quick coupling, adjustable, Cat. 1/1N
TOW HOOKS	
Pins/Sliding	Category Cuna C (basic), Category Cuna C + D2 (optional)
FRONT WEIGHTS	
Option	4 elements x 30 kg (120 kg)
DRIVER SEAT OOS	
Platform	Suspended, insonorized on 4 silent blocks
Frontrops	Front tiltable roll bar
Steering wheel	Fixed (base), Telescopic & tiltable (option)
Seat	Mechanical suspended seat in Pvc (base), Pneumatic suspended seat in Pvc (option)
Mirror	LH rearview mirror (base) – RH rearview mirror (option)
Dashboard	Multifunction
Operator's Manual	English / Italian version (base)
DRIVER SEAT CABIN VERSION	
Cabin	Insonorised, on 4 silent block suspended, ventilated and heated version (base) Insonorised, on 4 silent block suspended, heated and air conditioning version (option)
Steering wheel	Fixed (base), Telescopic & tiltable (option)
Seat	Mechanical suspended seat in textile (base), Pneumatic suspended seat in textile (option)
Mirror	2 external rearview mirrors LH & RH – 1 internal rear view (option)
Dashboard	Multifunction
Operator's Manual	English / Italian version (base)

Agricube Measurements

Vigneto			
		CAB	OOS
A * (mm)	4 WD	3,991	3,991
A 1 * (mm)	4 WD	4,316	4,316
B max (mm)	4 WD	1,700	1,700
C (mm)	4 WD	2,335	2,482
D * (mm)	4 WD	2,098	2,098
E front (mm)	4 WD	822÷ 1,022	822÷ 1,022
E rear (mm)	4 WD	896÷ 1,296	896÷ 1,296
F (mm)	4 WD	1,060	1,060
G (mm)	4 WD	270 ant 295 post	270 ant 295 post
H (mm)	4 WD	1,158	1,158
R	4 WD	20°	20°
K	4 WD	22° 30 '	22° 30 '
Front Tyres	4 WD	7.50÷ R16	7.50÷ R16
Rear Tyres	4 WD	12.4R28 320/ 85R28	12.4R28 320/ 85R28
Weight** [w/o front weights]	4 WD	2,645 kg	2,430 kg
	4 WD	2,645 kg	2,430 kg
* A, A 1, D with NEF motor: +87 mm** Weight with NEF motor: +70 kg			

Vigneto





Tractors Built for the Best™

EN

Carraro Tractors - Distributed by Selmac Group
2160 Fifteenth St, Irymple, VIC 3498
Australia
PH (03) 5024 6005

The information in this publication is provided for purely illustrative purposes; the manufacturer reserves the right to modify the models described without prior notice.

Drawings and photographs may refer to optional equipment or special options for other countries. For all other information, contact our sales network.

sales@selmacgroup.com.au



carraroaustralia.com.au